



KONICA MINOLTA

ColorReader *CR-10*

**Check the color difference between two samples.
Economical, portable, and easy to use.**

- ***Fits in the Palm of your Hand***
- ***Battery Operated***
- ***Lightweight***
- ***Low Price***
- ***Simple to Use***



The essentials of imaging

Color Reader CR-10

Simple operation

Only the functions necessary for use are provided.
Even first users operate it easily.

Compact size and light weight

The compact design fits in the palm of your hand.
The CR-10 is also battery operated, so you can take it almost anywhere.

Color difference displayed

$\Delta(L^*a^*b^*)$ dE 1.7 dL- 1.1
da+ 0.6 db+ 1.0

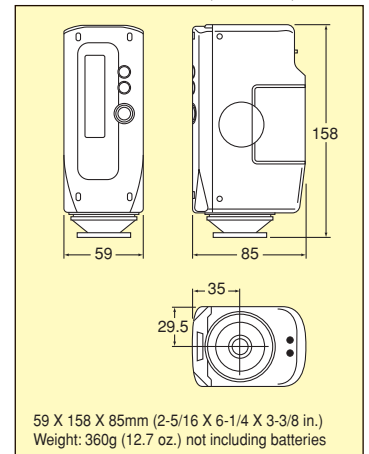
$\Delta(L^*C^*H^*)$ dE 1.7 dL- 1.1
dC+ 1.2 dH+ 1.5V



Specifications

Illuminating/viewing geometry	8/d (8° illumination angle/diffuse viewing : specular component included)
Measuring area	Approx. Ø8mm
Display modes	$\Delta(L^*a^*b^*)$ / ΔE^*ab or $\Delta(L^*C^*H^*)$ / ΔE^*ab
Target color memory	1 channel; set by measurement
Measuring range	L*: 10 to 100
Measurement conditions	Observer : CIE 10° Standard Observer Illuminant : CIE Standard Illuminant D65
Repeatability	Standard deviation within ΔE^*ab 0.1 (Measurement conditions: Average of measurements of standard white plate)
Minimum interval between measurements	Approx. 1 sec.
Power source	Four AA-size batteries or optional AC Adapter AC-A12
Battery life	Alkaline-manganese batteries: Approx. 2000 measurements at 10-sec. intervals Ni-Cd batteries: Approx. 600 measurements at 10-sec intervals
Operating temperature/humidity range	0 to 40°C; relative humidity 85% or less (at 35°C) with no condensation
Standard accessories	Soft Case CR-A68; Protective Cap CR-A72; Wrist Strap CR-A73; AA-size batteries (4)
Optional accessories	AC Adapter AC-A12; AC Adapter AC-A21 (for Korea); Printer Cable CR-A75

Dimensions (UNITS : mm)



Color Reader CR-??

Do you have a color-measurement need that could be filled by a customized Konica Minolta Color Reader model? We are always eager to listen to your needs, and will consider developing a customized model if sufficient sales quantities (100 units or more) are possible. Please feel free to talk with us about your requirements.

**Can we
make one
for you?**

KONICA MINOLTA SENSING, INC.
Konica Minolta Sensing Americas, Inc.
Konica Minolta Sensing Europe B.V.

Osaka, Japan
New Jersey, U.S.A.
European Headquarter /BENELUX
German Office (International)
German Office (Germany)
French Office
UK Office
Italian Office
Swiss Office
Nordic Office
Austrian Office
Polish Office

Phone : 888-473-2656(in USA), 201-236-4300(outside USA)

Nieuwegein, Netherland
Langenhagen, Germany
München, Germany
Roissy CDG, France
Milton Keynes, United Kingdom
Milan, Italy
Dietikon, Switzerland
Västra Frölunda, Sweden
Wien, Austria
Warszawa, Poland
Shanghai, China
Beijing, China
Guangzhou, China
Singapore
Seoul, Korea

Phone : +31(0)30 248-1200
Phone : +49(0)511 7404-862
Phone : +49(0)89 630267-20
Phone : +33(0)1 493-82519
Phone : +44(0)1908 540-622
Phone : +39(0)23 90111
Phone : +41(0)43 322-9800
Phone : +46(0)31 7099464
Phone : +43(0)1 87882-430
Phone : +48(0)22 56033-00
Phone : +86-021-5489 0202
Phone : +86-010-8522 1551
Phone : +86-020-3826 4220
Phone : +65 6563-5533
Phone : 02-523-9726

Fax : 201-785-2480
Fax : +31(0)30 248-1211
Fax : +49(0)511 7404-807
Fax : +49(0)89 630267-67
Fax : +33(0)1 493-84771
Fax : +44(0)1908 540-629
Fax : +39(0)23 9011219
Fax : +41(0)43 322-9809
Fax : +46(0)31 474945
Fax : +43(0)1 87882-431
Fax : +48(0)22 56033-01
Fax : +86-021-5489 0005
Fax : +86-010-8522 1241
Fax : +86-020-3826 4223
Fax : +65 6560-9721
Fax : 02-523-9729

Konica Minolta (CHINA) Investment Ltd. SE Sales Division
SE Beijing Office
SE Guangzhou Office

Konica Minolta Sensing Singapore Pte Ltd.
KONICA MINOLTA SENSING, INC. Seoul Office

Addresses and telephone/fax numbers are subject to change without notice. For the latest contact information, please refer to the KONICA MINOLTA SENSING Worldwide Offices web page (link below).

<http://konicaminolta.com/about/se/contact.html>